

EXP-60.DWG

REVISION: R

ECO NO.: 1927-9

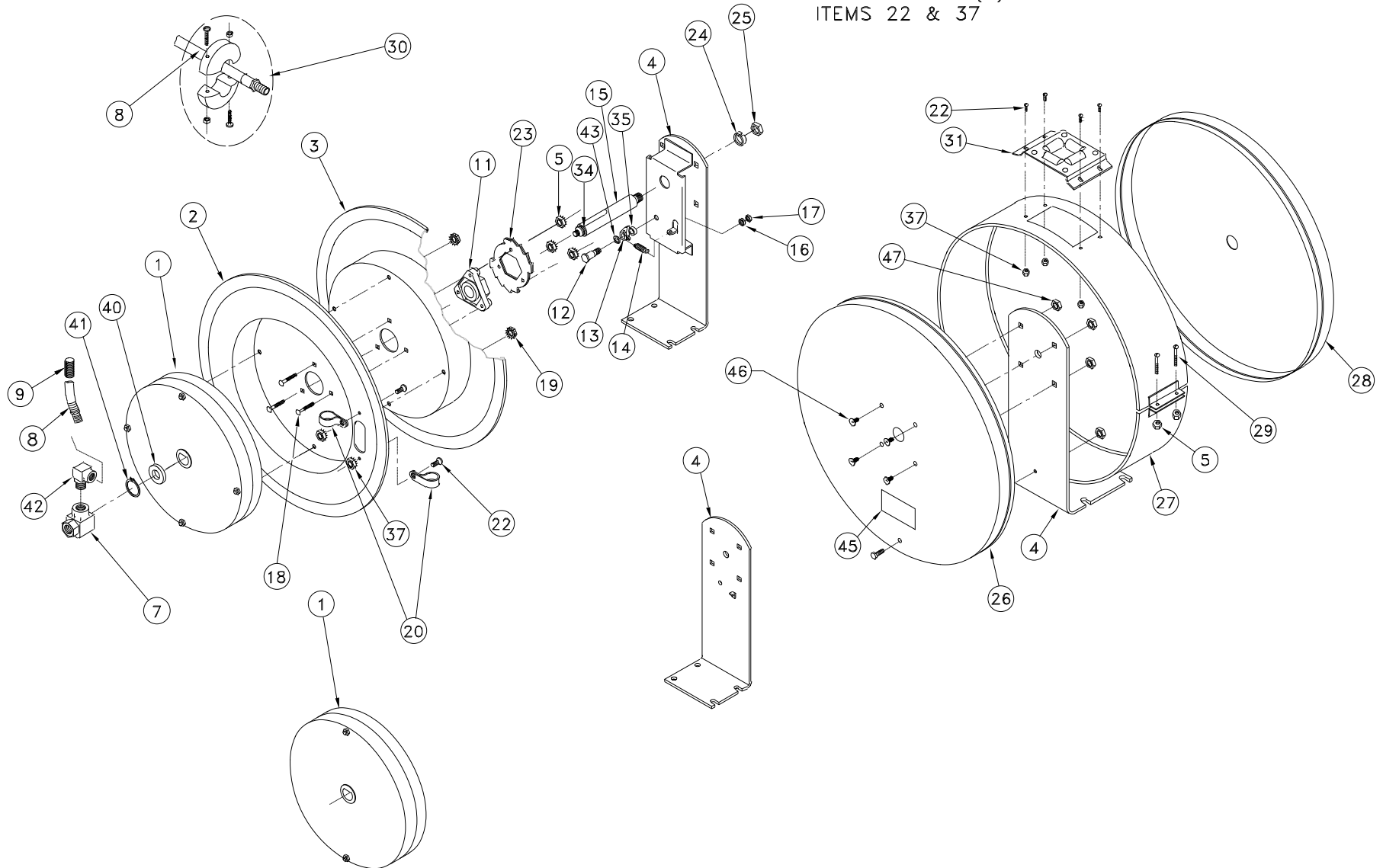
DRAWN BY: J. KNOSALLA

DATE: 07/23/03

COXREELS

SERIES EN

④ CENTER BAND KIT WITH HOSE
GUIDE INCLUDES ITEMS 27 &
31 WITH QTY. (4) EA. OF
ITEMS 22 & 37



EXP-60

COMMON PARTS TO ALL SERIES EN REELS

ITEM NO.	PART NO.	DESCRIPTION	QTY REQ'D
5	125	NUTS, KEPS, ¼-20	5
11	1776-3	BEARING, HUB, 1" ID	1
12	1620	BOLT, SHOULDER, ½ X 1-½"	1
13	640-1-SS	LOCKING DOG, F7 REEL, SS	1
14	274-1-SS	SPRING, TENSION, LOCKING DOG	1
16	437	WASHER, LOCK, 3/8"	1
17	184	NUT, HEX, JAM, 3/8-16	1
18	1953	BOLT, CARRIAGE, ¼-20 X 1-½" GR5	3
22	245	SCREW, 10-32 X 3/8, TRUSS, PHP	6
23	1924	LOCKING RING, F7 REEL	1
24	438	WASHER, LOCK, 5/8"	1
25	3584	NUT, 5/8-11	1

ITEM NO.	PART NO.	DESCRIPTION	QTY REQ'D
29	589	BOLT, ¼-20 X 1-¼"	2
31	324-1	ROLLER BRACKET, EN REEL	1
34	10235	STUD, SS, 3/8-16 UNC 2A X 1"	1
35	6440-SS	SPACER, WASHER, .286" WIDE, SS	1
37	130	NUT, KEPS, 10-32	6
40	1755-1	WASHER, SPACER, HDPE BLACK	1
41	1753	RETAINING RING, C (5160-75)	1
43	6441-1	SPACER, WASHER, .050 WIDE	1
45	10925-5	NAMEPLATE, PRODUCT, STD DECAL	1
46	10220-75	BOLT, CARRIAGE, 5/16-18 X ¾" GR 5	5
47	111	NUT, LOCK, 5/16-18	5

ITEM NUMBER

MODEL NO.	ITEM NUMBER																
	1	2	3	4	7	* 8	* 8	* 8	* 9	15	19	20	26	27	28	* 30	44
	SPRING	DRUM	DRUM	BASE	SWIVEL	HOSE (STD)	HOSE (-OG)	HOSE (-RH)	HOSE GRD	AXLE	(2) NUT, KEPS	(2) CLAMPS	END COVER	CENTER BAND	END COVER	BALL STOP	KIT, CB
EN-N-125	689-3	1948	1947	1970-1	450	5150-25	5121-25	3870-25	237-1	1956	130	2169	1967	1966-2	1968	131	2209-1
EN-N-135	689-3	1948	1947	1970-1	450	5150-35	5121-35	3870-35	237-1	1956	130	2169	1967	1966-2	1968	131	2209-1
EN-N-150	689-5	1948	1947	1970-1	450	5150-50	5121-50	3870-50	237-1	1956	130	2169	1967	1966-2	1968	131	2209-1
EN-N-160	690-4	1703	1702	1743-3	450	5150-60	5121-60	3870-60	237-1	1793	125	2169	195-1	529-1	196-1	131	2209-2
EN-N-325	689-3	1948	1947	1970-1	433	5153-25	5101-25	5045-25	237-1	1956	130	381	1967	1966-2	1968	131-3	2209-1
EN-N-335	689-3	1948	1947	1970-1	433	5153-35	5101-35	5045-35	237-1	1956	130	381	1967	1966-2	1968	131-3	2209-1
EN-N-350	690-2	1703	1702	1743-3	433	5153-50	5101-50	5045-50	237-1	1793	125	381	195-1	529-1	196-1	131-3	2209-2
EN-N-360	647	1703	1702	1743-3	433	5153-60	5101-60	5045-60	237-1	1793	125	381	195-1	529-1	196-1	131-3	2209-2
EN-N-425	1961-5	1948	1947	1970-1	434	5154-25	5131-25	5066-25	398-1	1956	130	383	1967	1966-2	1968	131-4	2209-1
EN-N-435	690-1	1703	1702	1743-3	434	5154-35	5131-35	5066-35	398-1	1793	125	383	195-1	529-1	196-1	131-4	2209-2
EN-N-450	691-3	1703	1702	1743-3	434	5154-50	5131-50	5066-50	398-1	1793	125	383	195-1	529-1	196-1	131-4	2209-2

ITEM NUMBER

MODEL NO.	ITEM NUMBER																		
	1	2	3	4	7	* 8				* 9	15	19	20	26	27	28	* 30	42	44
	SPRING	DRUM	DRUM	BASE	SWIVEL	HOSE (STD)				HOSE GRD	AXLE	(2) NUT, KEPS	(2) CLAMPS	END COVER	CENTER BAND	END COVER	BALL STOP	ELBOW	KIT, CB
ENM-N-325	2037-3	1948	1947	1970-1	433	5224-25				237-1	1956	130	381	1967	1966-2	1968	131-3	500	2209-1
ENM-N-335	2037-1	1948	1947	1970-1	433	5224-35				237-1	1956	130	381	1967	1966-2	1968	131-3	500	2209-1
ENM-N-350	646	1703	1702	1743-3	433	5224-50				237-1	1793	125	381	195-1	529-1	196-1	131-3	-	2209-2
ENM-N-425	2037-3	1948	1947	1970-1	434	5256-25				398-1	1956	130	383	1967	1966-2	1968	131-4	1671	2209-1
ENM-N-435	691-2	1703	1702	1743-3	434	5256-35				398-1	1793	125	383	195-1	529-1	196-1	131-4	-	2209-2
ENM-N-450	696-1	1703	1702	1743-3	434	5256-50				398-1	1794	125	383	195-1	529-1	196-1	131-4	-	2209-2

ITEM NUMBER

MODEL NO.	ITEM NUMBER																		
	1	2	3	4	7	* 8				* 9	15	19	20	26	27	28	* 30	42	44
	SPRING	DRUM	DRUM	BASE	SWIVEL	HOSE (STD)				HOSE GRD	AXLE	(2) NUT, KEPS	(2) CLAMPS	END COVER	CENTER BAND	END COVER	BALL STOP	ELBOW	KIT, CB
ENH-N-125	2037-3	1948	1947	1970-1	499	5304-25				237-1	1956	130	115	1967	1966-2	1968	131	616	2209-1
ENH-N-135	2037-1	1948	1947	1970-1	499	5304-35				237-1	1956	130	115	1967	1966-2	1968	131	616	2209-1
ENH-N-150	646	1703	1702	1743-3	499	5304-50				237-1	1793	125	115	195-1	529-1	196-1	131	-	2209-2
ENH-N-160	699-2	1703	1702	1743-3	499	5304-60				237-1	1793	125	115	195-1	529-1	196-1	131	-	2209-2
ENH-N-325	2037-3	1948	1947	1970-1	521	5336-25				237-1	1956	130	613	1967	1966-2	1968	131-3	617	2209-1
ENH-N-335	691-3	1703	1702	1743-3	521	5336-35				237-1	1793	125	613	195-1	529-1	196-1	131-3	-	2209-2
ENH-N-350	696-1	1703	1702	1743-3	521	5336-50				237-1	1794	125	613	195-1	529-1	196-1	131-3	-	2209-2

* ON "LESS HOSE" MODELS (ENL-/ENML-/ENHL-) EXCLUDE ITEMS #8,#9, AND #30.

NOTE: MODELS SUPPLIED WITH "STANDARD" HOSE UNLESS SUFFIXED WITH "-OG" OR "-RH". USE HOSE NUMBERS AS NOTED ABOVE.

REEL ASSEMBLY REPORTS: R100 (LATCHOUT REMOVAL), R101 (LOCKING RING PLACEMENT), R112 (TIGHTENING AND TORQUING)

REVISION: R

ECO: 1927-9

DATE:

7/23/03

NAME: J. KNOSALLA