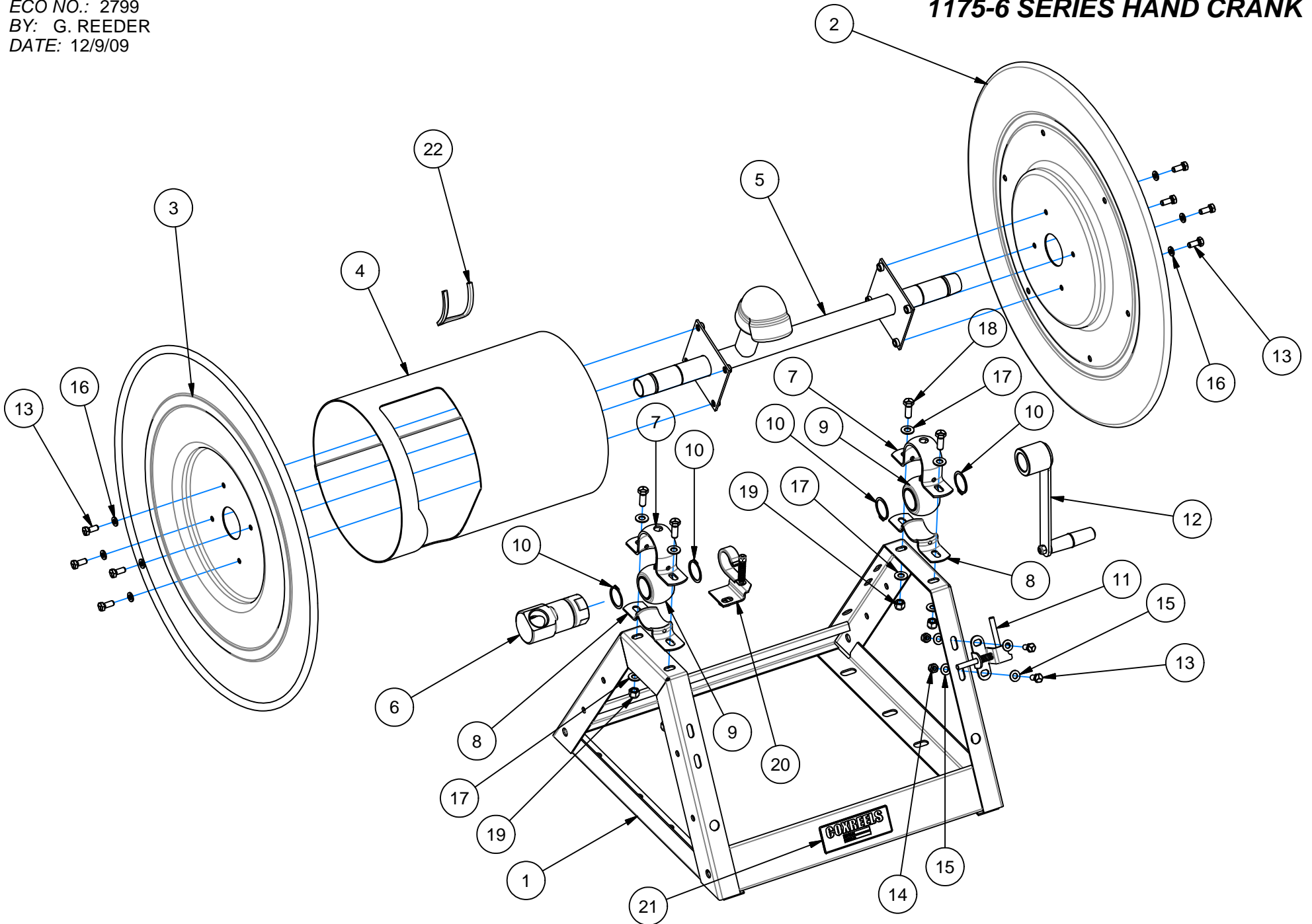


EXP-180

REVISION: C
ECO NO.: 2799
BY: G. REEDER
DATE: 12/9/09

COXREELS

1175-6 SERIES HAND CRANK



COMMON PARTS TO ALL 1175-6- REELS W/CRANK

ITEM NO.	PART NO.	DESCRIPTION	QUANTITY REQUIRED					
			1175-6-50	1175-6-100	1175-6-125	1175-6-135	1175-6-150	1175-6-200
1	7605-7.5	FRAME, ASSY, 24"	1	-	-	-	-	-
	7605-11.5	FRAME, ASSY, 24"	-	1	-	-	-	-
	7605-13.5	FRAME, ASSY, 24"	-	-	1	-	-	-
	7605-15.5	FRAME, ASSY, 24"	-	-	-	-	1	-
	7605-20	FRAME, ASSY, 24"	-	-	-	-	-	1
	8436-20	FRAME, ASSY, 20"	-	-	-	1	-	-
2	7603	DISC, 24"	1	1	1	-	1	1
	7799-1	DISC, 20"	-	-	-	1	-	-
3	7603-1	DISC, 24"	1	1	1	-	1	1
	7799	DISC, 20"	-	-	-	1	-	-
4	7604-7.5	DRUM, CENTER	1	-	-	-	-	-
	7604-11.5	DRUM, CENTER	-	1	-	-	-	-
	7604-13.5	DRUM, CENTER	-	-	1	-	-	-
	7604-15.5	DRUM, CENTER	-	-	-	-	1	-
	7604-20	DRUM, CENTER	-	-	-	1	-	1
5	7600-7.5	AXLE ASSEMBLY 1"	1	-	-	-	-	-
	7600-11.5	AXLE ASSEMBLY 1"	-	1	-	-	-	-
	7600-13.5	AXLE ASSEMBLY 1"	-	-	1	-	-	-
	7600-15.5	AXLE ASSEMBLY 1"	-	-	-	-	1	-
	7600-20	AXLE ASSEMBLY 1"	-	-	-	1	-	1
6	15257-1	ASSY, SWIVEL, 1"	1	1	1	1	1	1
7	20418-T	PILLOW BLOCK, MTG (TOP)	2	2	2	2	2	2
8	20418-B	PILLOW BLOCK, MTG (BOTTOM)	2	2	2	2	2	2
9	20419	BEARING	2	2	2	2	2	2
10	15012	RETAINING RING	4	4	4	4	4	4
11	20843	ASSY, LOCK PIN	1	1	1	1	1	1
12	7510	ASSY, CRANK, 1"	1	1	1	1	1	1
13	312	BOLT, 5/16-18 X ¾"	10	10	10	10	10	10
14	111	NUT, LOCKING, 5/16	2	2	2	2	2	2
15	20171	WASHER, FLAT, 5/16	4	4	4	4	4	4
16	112	WASHER, LOCK, 5/16	8	8	8	8	8	8
17	157	WASHER, FLAT, 3/8	8	8	8	8	8	8
18	20016	BOLT, 3/8-16 X 1" LG. **	4	4	4	4	4	4
19	435	NUT, LOCKING, 3/8	4	4	4	4	4	4
20	7679	ASSY, BRAKE, 1"	1	1	1	1	1	1
21	10925-5	LABEL: STANDARD PRODUCT	1	1	1	1	1	1
22	7460-14	TRIM, DRUM EDGE	1	1	1	1	1	1

** NOTE: SUBSTITUTE P/N 341 (3/8-16 X 1-1/4" HEX BOLT) WHEN MOUNTING TOP 4-WAY ROLLER ASSEMBLY

REVISION: C

ECO: 2799

DATE: 12/9/2009

NAME: G. REEDER