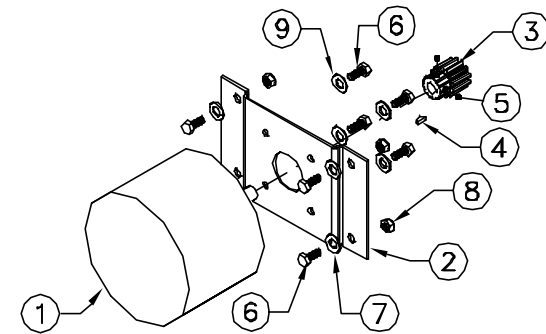
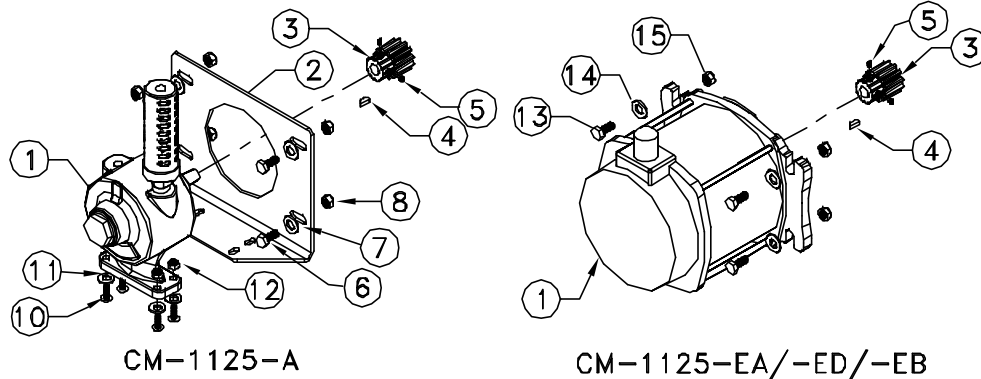


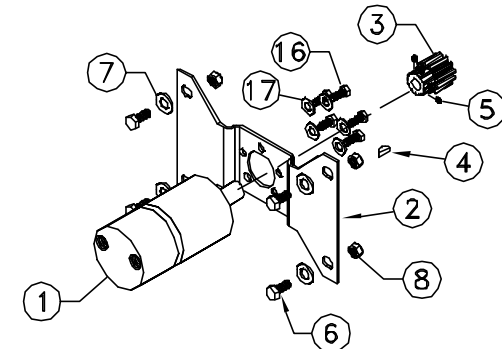
REVISIONS

CM-1125

SYM.	DESCRIPTION	DATE	BY
B	ADDED 24VDC MOTOR OPTION ECO. 2161	5-12-05	ML
C	P/N 6287- WAS P/N 8387 ECO. 2194-2	9-27-05	BM



CM-1125-E



CM-1125-H

ITEM #	PART NUMBER	DESCRIPTION	-A	-EA	-ED	-EB	-E	-H
1	15224	MOTOR, AIR	1					
	15225-1	MOTOR, 115VAC, EXPL PROOF		1				
	15223-1	MOTOR, 12VDC, EXPL PROOF			1			
	15228-1	MOTOR, 12VDC					1	
	15223-2	MOTOR, 24VDC				1		
	15226	MOTOR, HYDRAULIC						1
2	7442	BRACKET, 12VDC MOTOR					1	
	7443-1	BRACKET, AIR MOTOR	1					
	7410	BRACKET, HYDRAULIC						1
3	7426	PINION GEAR	1					
	7425	PINION GEAR		1	1	1	1	1
4	16006	KEY		1	1	1		
	16015	KEY	1					
	16016	KEY					1	1
5	7441	SCREW, SET	2	2	2	2	2	2
6	312	BOLT, 5/16-18 X 3/4"	4				8	4
7	20171	WASHER, FLAT, 5/16"	4				4	4
8	111	NUT, LOCKING, 5/16-18	4				4	4
9	112	WASHER, LOCK, 5/16"					4	
10	6287-	SCREW, 1/4-20 X 1" TRUSS	4					
11	688	WASHER, FLAT, 1/4"	4					
12	125	NUT, KEPS, 1/4-20	4					
13	341	BOLT, 3/8-16 X 1-1/4"		4	4	4		
14	157	WASHER, FLAT, 3/8"		4	4	4		
15	435	NUT, LOCKING, 3/8-16		4	4	4		
16	110	BOLT, 1/4-28 X 3/4"						5
17	114	WASHER, LOCK, 1/4"						5

DRAWN: M. LLOYD	DATE: 05-12-05	KITS, MOTOR 1125/1275 SERIES
CHK: J. KNOSALLA	DATE: 05-12-05	
MAT. SEE BOM		COXREELS 6720 S. CLEMENTINE CT. TEMPE, ARIZONA 85285 480-820-6396
NEXT ASSEMBLY VARIOUS REELS		
DEC. .X ±.100 FRACT. .XX ±.010 .XXX ±.005	ANGLE ±1/32 ±.5 DEG.	
		REV. C